

# EXPOSITORES DISPLAYS

Realizamos todo tipo de expositores a medida  
We create all kinds of custom displays

Madera, Metacrilato, Plastico, Carton, Espuma, SmartX, Carton Pluma, etc...  
Wood, acrylic, Plastic, Cardboard, Foam, SmartX, Cardboard Pen, etc ...

[www.lasersl.com](http://www.lasersl.com)



**LASERMARKING**  
CUTTING&ENGRAVING&CNC

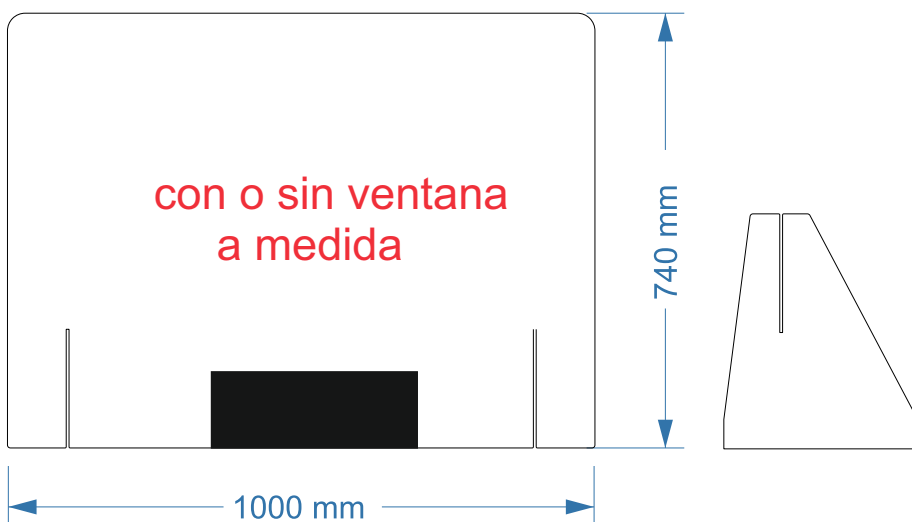
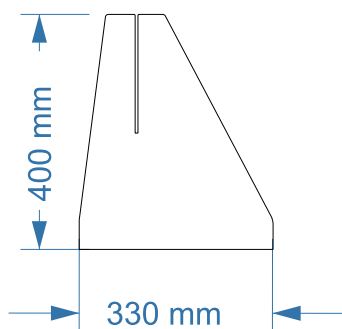
Tel.+34 93 889 31 12 - email: [comercial@lasersl.com](mailto:comercial@lasersl.com)

# MAMPARAS 5m/m ref.: EX-507

medidas : 1000x740 (standard)

ref.: EX-507.1

se pueden realizar a medidas consultar precio



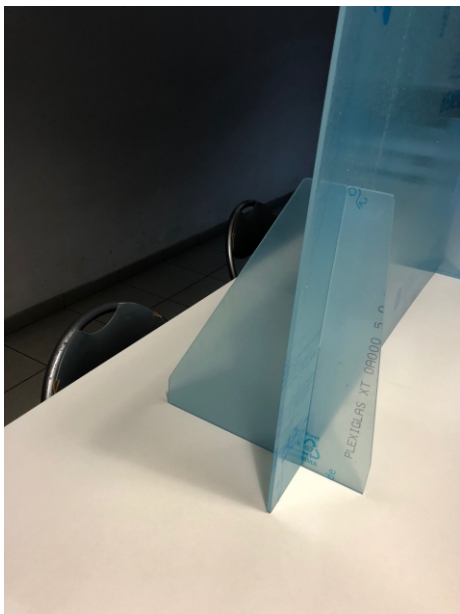
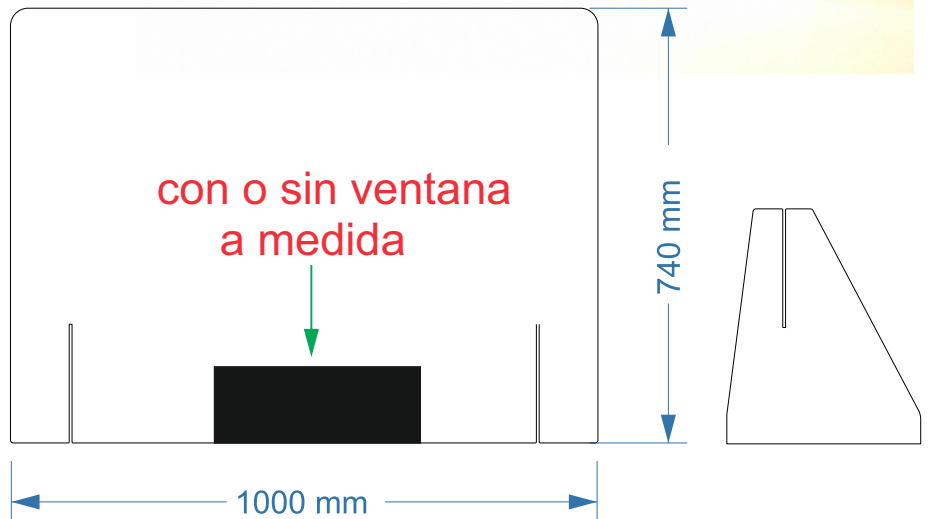
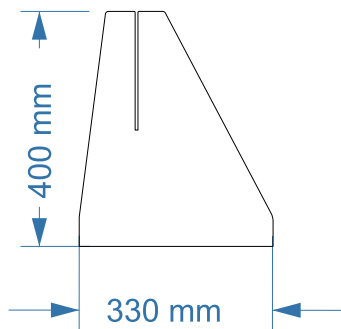
# MAMPARAS 10m/m ref.: EX-508



medidas : 1000x740--- ref.: EX-508.1

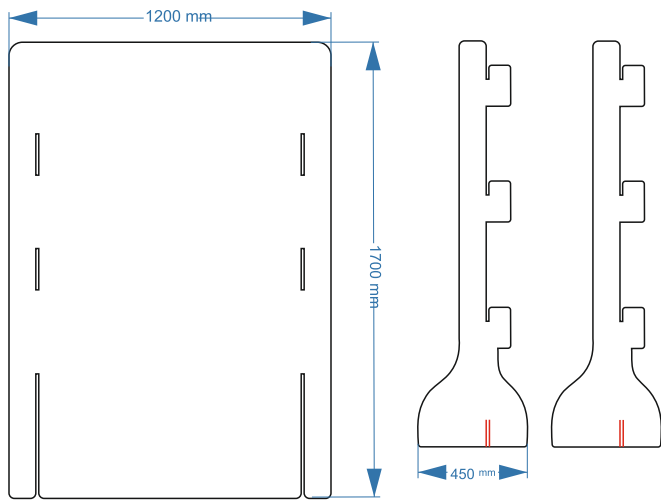
medidas : 1500x740---- ref.: EX-508.2

se pueden realizar a medidas consultar precio



# BIOMBOS LUX + WOODEN TILES

ref: EX-0510 (consultar)



<https://youtu.be/DQdZ83-KZJw>

modelos de lux wooden tiles

**OLEADA**



**FEBE**



**HIPERION**



**ASTERIA**



**TEA**



**CEO**



**SMALL TEMIS**

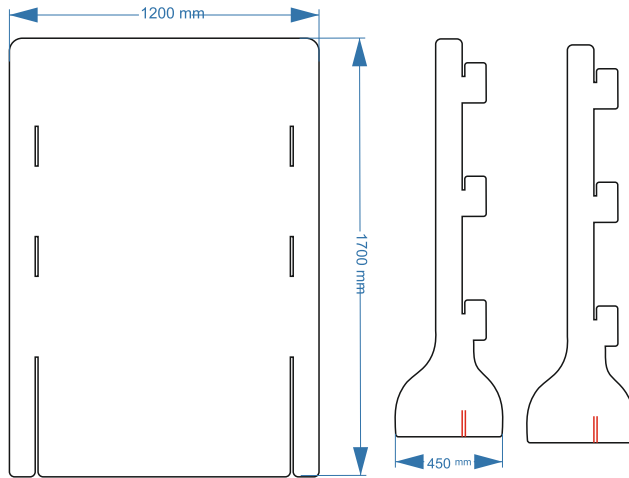
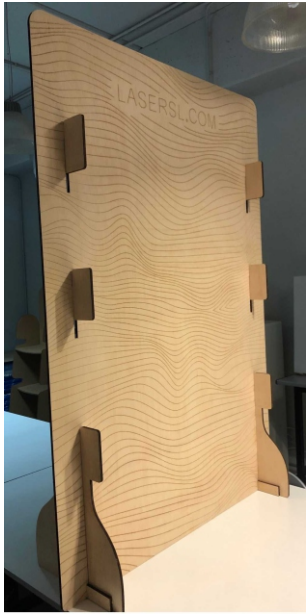


**JAPETO**



# Separadores madera 10mm

ref.: EX-0509



ref.: EX-0509.1  
CON DECORACION

ref.: EX-0509.2  
SIN DECORACION

tenemos mas modelos  
info : [lasersl@lasersl.com](mailto:lasersl@lasersl.com)





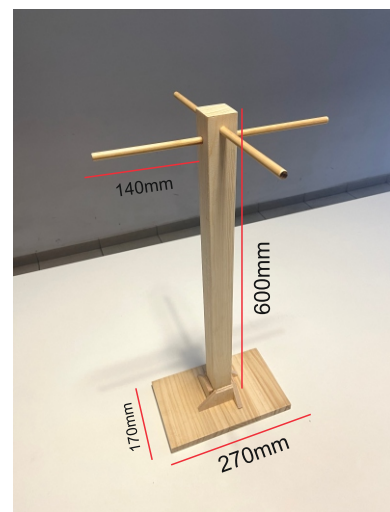
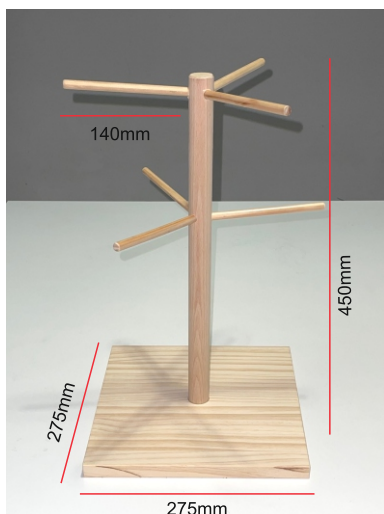


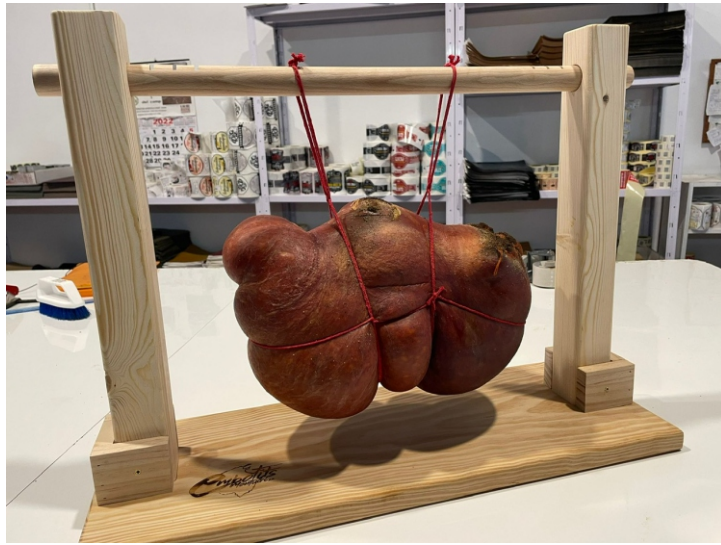


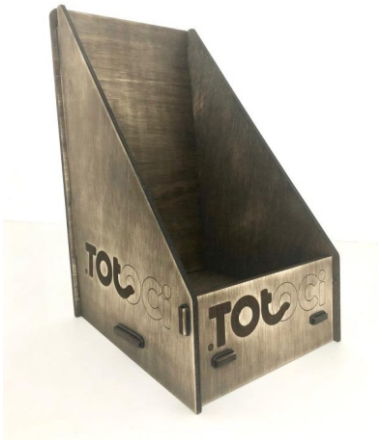




ALTURA 1,5M









Te personalizamos tu expositor...











BAT DT

BAT DT



**VIDEO YOUTUBE:** <https://youtu.be/qmPzg6JxDJI>



**VIDEO YOUTUBE:** <https://youtu.be/mAP6hjqfVGA>

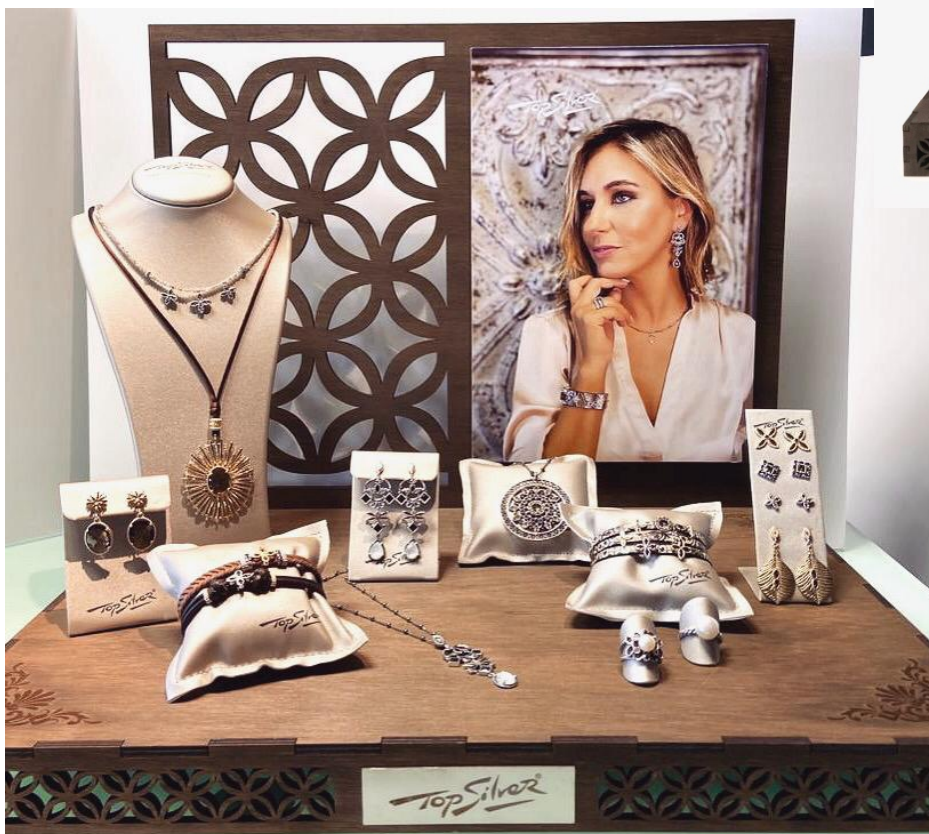
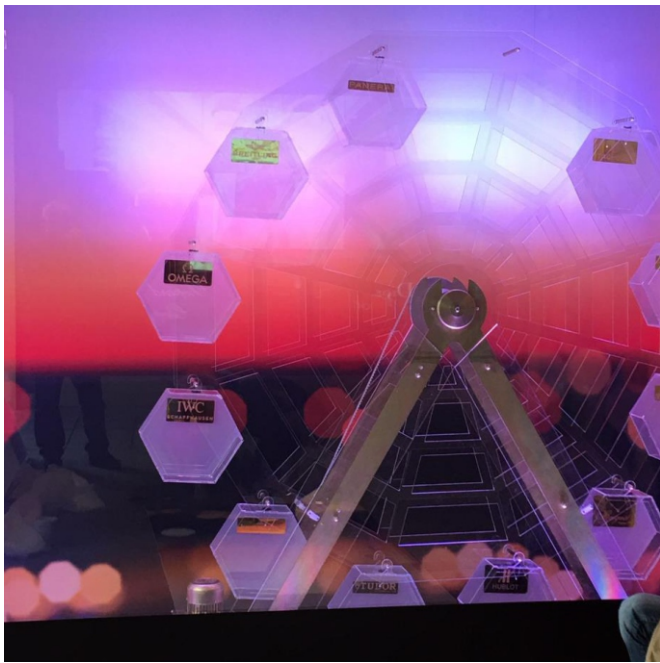




ref: EX-482



ref: EX-465



ref: EX-467





ref: EX-463



ref: EX-464



ref: EX-462



ref: EX-468

ref: EX-474



ref: EX-469



ref: EX-470







ref: EX-473





ref: EX-477







ref: EX-476



ref: EX-466









ref: EX-471



ref: EX-472



ref: EX-480

Giratorio



<https://youtu.be/7IOKu4JFfn0>



Giratorio

Ver Video:

<https://youtu.be/YBp-RAPwMDw>

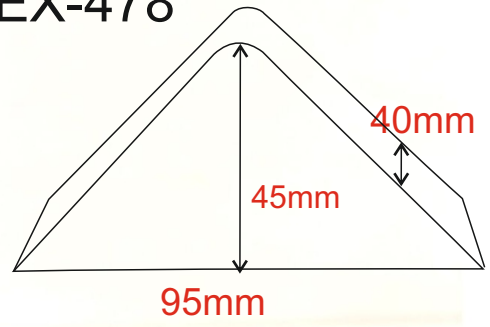


ref: EX-479

Giratorio



ref: EX-478



ref: EX-483





ref: EX-484



ref: EX-485